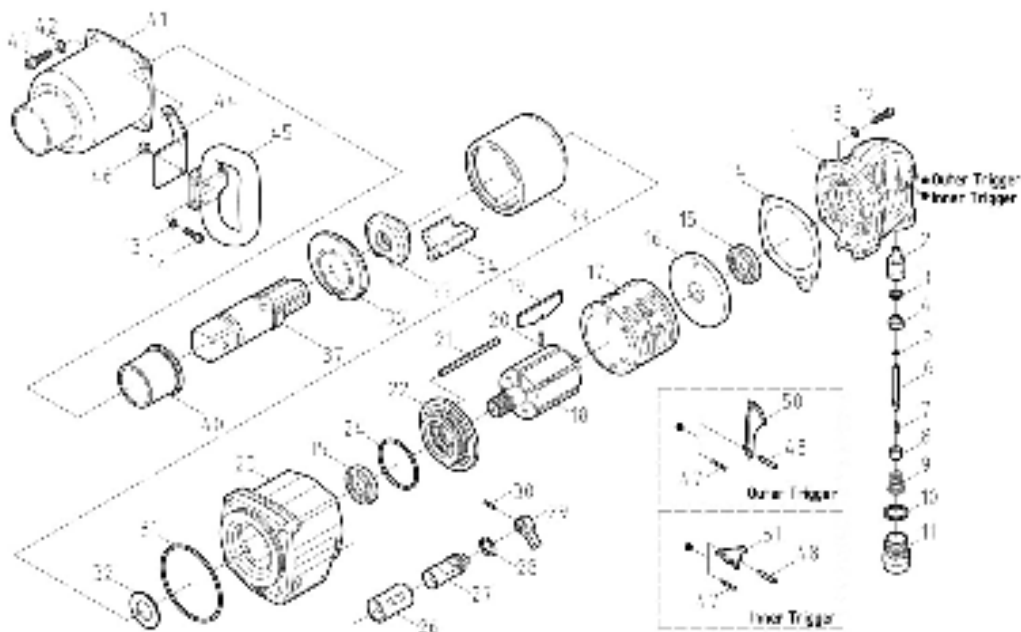


ZIW1076 1-1/2" IMPACT WRENCH



ZIW1076 1-1/2" IMPACT WRENCH

TECHNICAL DATA

Square Drive	inch(mm)	1-1/2"(37)
Free Speed	R.P.M.	4000
Max. Torque(15 secs)	ft-lb(NM)	2500(3389)
Working torque(5 secs)	ft-lb(NM)	2300(3118)
Avg. Air Cons.	cfm(l/min)	12(339)
Net Weight	lbs(kgs)	31.7(14.4)
Air Inlet Size	inch-NPT/PT	1/2"
Impact mechanism		Pin Less

PARTS LIST

Index	Part #	Description	Index	Part #	Description
1	ZIW1076-1	Handle body	31	ZIW1076-31	O-Ring
2	ZIW1076-2	Reverse Valve	32	ZIW1076-32	Anvil Rear Spacer
3	ZIW1076-3	O-Ring	33	ZIW1076-33	Hammer Cage
4	ZIW1076-4	Reverse Valve	34	ZIW1076-34	Hammer
5	ZIW1076-5	O-Ring	35	ZIW1076-35	Hammer Cam
6	ZIW1076-6	Pin Valve Rod	36	ZIW1076-36	Anvil Front Spacer
7	ZIW1076-7	Spring	37	ZIW1076-37	Anvil
8	ZIW1076-8	Reverse Valve	40	ZIW1076-40	Bushing
9	ZIW1076-9	Cone Spring	41	ZIW1076-41	Front Casing
10	ZIW1076-10	O-Ring	42	ZIW1076-42	Spring Washer(4)
11	ZIW1076-11	Air Inlet (1/2"-14NPT)	43	ZIW1076-43	Screw(4)
		Air Inlet (1/2"-14PT)	44	ZIW1076-44	Bolt Holder
12	ZIW1076-12	Screw(8)	45	ZIW1076-45	Handle
13	ZIW1076-13	Spring Washer(8)	46	ZIW1076-46	Lock Nut(4)
14	ZIW1076-14	Packing			
15	ZIW1076-15	Ball Bearing(2)			
16	ZIW1076-16	Rear Plate	47	ZIW1076-47	Spring Pin
17	ZIW1076-17	Cylinder	48	ZIW1076-48	Spring Pin
18	ZIW1076-18	Rotor	50	ZIW1076-50	Trigger
19	ZIW1076-19	Blade(7)			
20	ZIW1076-20	Spring(7)			
21	ZIW1076-21	Key	47	ZIW1076-47	Spring Pin
22	ZIW1076-22	Front Plate	48	ZIW1076-48	Spring Pin
24	ZIW1076-24	O-Ring	51	ZIW1076-51	Trigger
25	ZIW1076-25	Housing			
26	ZIW1076-26	Valve Bushing			
27	ZIW1076-27	Reverse Valve			
28	ZIW1076-28	O-Ring			
29	ZIW1076-29	Reverse Lever			
30	ZIW1076-30	Spring Pin			